

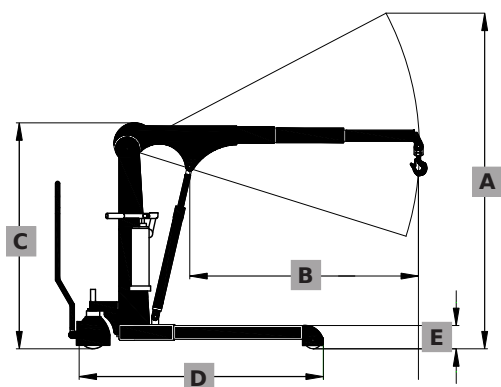
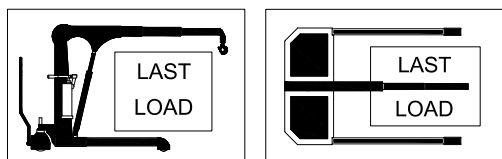
Questionnaire 

Can the load be positioned above or between the stabiliser legs?

yes

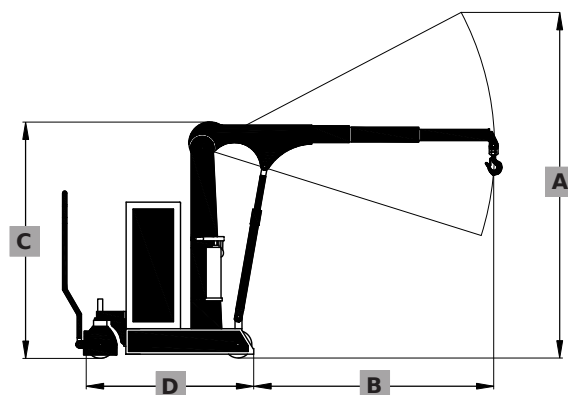
Version with stabiliser legs

above the legs between the legs



no

Counterweight version



Please answer the following questions:

1	What load capacity is required?	→		kg
2	How often will the equipment be used?	→	per week	→ per month
3	How high does the hook need to be lifted? A	→	max. mm /	min. mm
4	With how much reach? B	→	max. mm /	min. mm
5	What chassis width is needed, interior/exterior?	→	mm interior	→ mm exterior
6	What is the minimum width of passage for movements?	→		mm
7	What type is the working floor surface?			
8	Does the jib need to be swivelling?*	<input type="checkbox"/> yes <input type="checkbox"/> no	<input type="checkbox"/> 90° <input type="checkbox"/> 180° <input type="checkbox"/> 270°	
9	What approximate distance is needed in movement?	→		m
10	How many work shifts are operated?	→		
11	What version do you need?	<input type="checkbox"/> Manual <input type="checkbox"/> Electric: <input type="checkbox"/> Lifting <input type="checkbox"/> Movement		
12	What is the minimum height of passage available? C			mm
13	Do you need a limited chassis length? D mm	If so, why? →		
14	Do you need to insert the stabiliser legs under the load?	What height is available? E		mm

Company name

Your name

Adress

E-Mail

Telephone

Please send the completed questionnaire by email to:
info@dynalserg.com